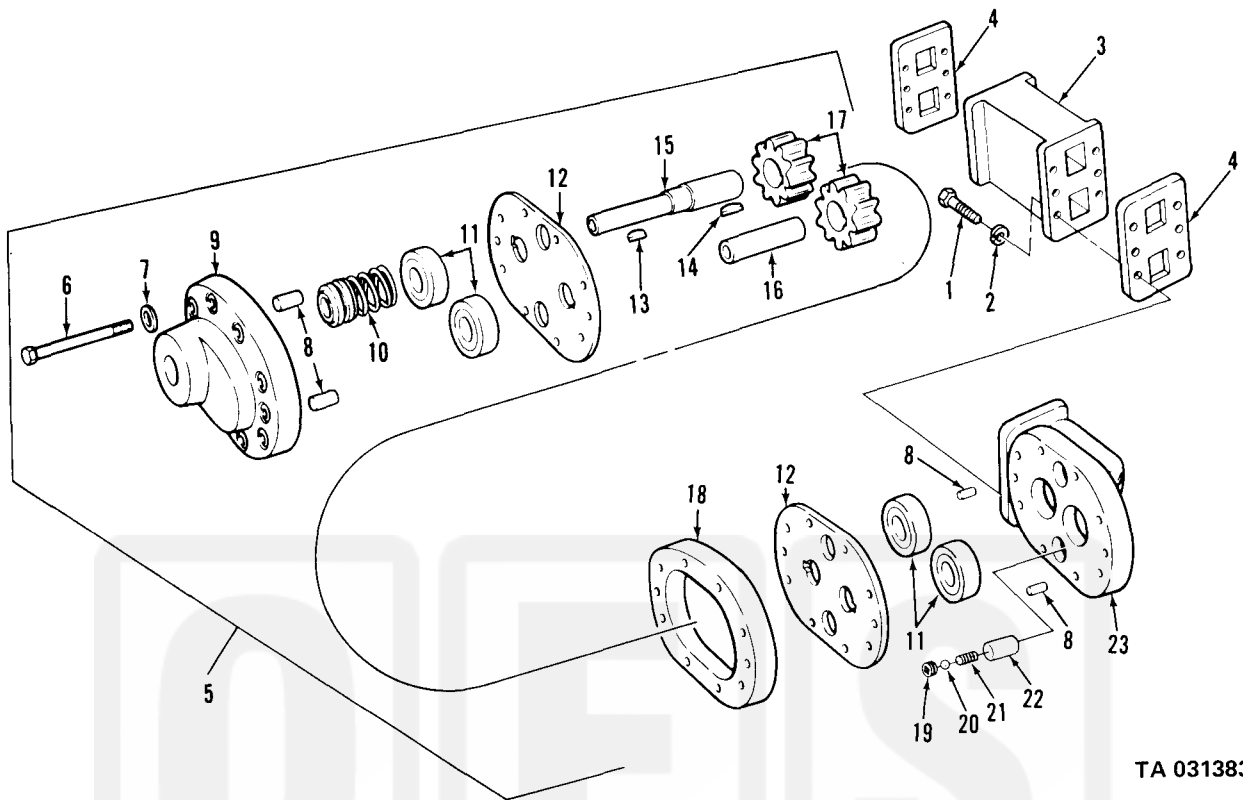


Current part is item (5) on diagram. Available at [www.oshkoshequipment.com](http://www.oshkoshequipment.com)

(1)	(2)	(3)	(4)	(5)	(6)	(7)	(8)
ILLUS.							QTY
(a)	(b)	SMR	NATIONAL	PART	DESCRIPTION	U/M	INC
FIG.	ITEM	CODE	STOCK	NUMBER	FSCM		IN
NO.	NO.		NUMBER		USABLE ON CODE		UNIT
					2001-HOIST,CAPSTAN,WINDLASS,CRANE OR WINCH ASSEMBLY(CONT'D)		
287	4	PAFZZ	5330-00-740-9082	11974	79025 GASKET:HOIST PUMP TO SPACER (M47,M59,M342,M342A2)	EA	2
287	5	PAFFF	2590-00-593-1790	8332101	19207 PUMP ASSEMBLY:HOIST(SAME AS PUMP ASSEMBLY,P/N8330480(19207), EXCEPT WHERE INDIVIDUAL COMPONENTS ARE ANNOTATED)(M47,M59)	EA	1
287	5	PAFFF	2520-00-040-2318	8330480	19207 PUMP ASSEMBLY:DUMP BODY HYDRAULIC HOIST(SAME AS PUMP ASSEMBLY, P/N8332101(19207),EXCEPT WHERE INDIVIDUAL COMPONENTS ARE ANNOTATED) (M342,M342A2)	EA	1
287	6	PAFZZ	5305-00-069-5580	MS90725-96	96906 SCREW,CAP,HEXAGON HEAD (USED ON PUMP ASSEMBLY, P/N8332101(19207),ONLY)(M47,M59)	EA	8
287	6	PAFZZ	5305-00-069-5583	MS90725-99	96906 SCREW,CAP,HEXAGON HEAD (USED ON PUMP ASSEMBLY, P/N8330480(19207),ONLY) (M342,M342A2)	EA	8
287	7	PAFZZ	5310-00-809-4085	MS27183-16	96906 WASHER,FLAT(M47,M59, M342,M342A2)	EA	8
287	8	PAFZZ	5315-00-058-9949	589949	21450 PIN,STRAIGHT,HEADLESS (M47,M59,M342,M342A2)	EA	4
287	9	XAFZZ		8328151	19207 COVER(M47,M59,M342,M342A2)	EA	1
287	10	PAFZZ	2590-00-593-1853	8328155	19207 SEAL,OIL PUMP:AND SEAT ASSEMBLY,HYDRAULIC HOIST PUMP DRIVE SHAFT,DUMP BODY(M47, M59,M342,M342A2)	EA	1
287	11	PAFZZ	3110-00-156-5427	700194	21450 BEARING,BALL,ANNULAR:MIL-STD- CODE 146-02532-0000,DR TWO DIRECTION THRUST CAP LOADING GROOVE,VERTEX OF CONTACT ANGLE LOCATED OUTSIDE,ABEC1,STD FIT,LT PRELOAD,REG SLUSH,25MM BORE, 52 MM DD,13/16 IN. W HOIST PUMP (USED ON PUMP ASSEMBLY,P/N8332101 (19207,ONLY)(M47,M59)	EA	4
287	11	PAFZZ	3110-00-554-3925	10599814-1	18876 BEARING,BALL,ANNULAR:DUMP BODY HOIST HYDRAULIC PUMP DRIVE SHAFT (USED ON PUMP ASSEMBLY,P/N8330480 (19207),ONLY)(M342,M342A2)	EA	4
287	12	XAFZZ		8328153	19207 PLATE(M47,M59,M342,M342A2)	EA	2
287	13	PAFZZ	5315-00-616-5523	MS35756-11	96906 KEY,WOODRUFF(USED ON PUMP ASSEMBLY,P/N8332101(19207), ONLY)(M47,M59)	EA	1
287	13	PAFZZ	5315-00-616-5520	MS35756-14	96906 KEY,WOODRUFF(USED ON PUMP ASSEMBLY,P/N8330480(19207), ONLY)(M342,M342A2)	EA	
287	14	PAFZZ	5315-00-012-4553	MS35756-17	96906 KEY,WOODRUFF(M47,M59, M342,M342A2)	EA	1

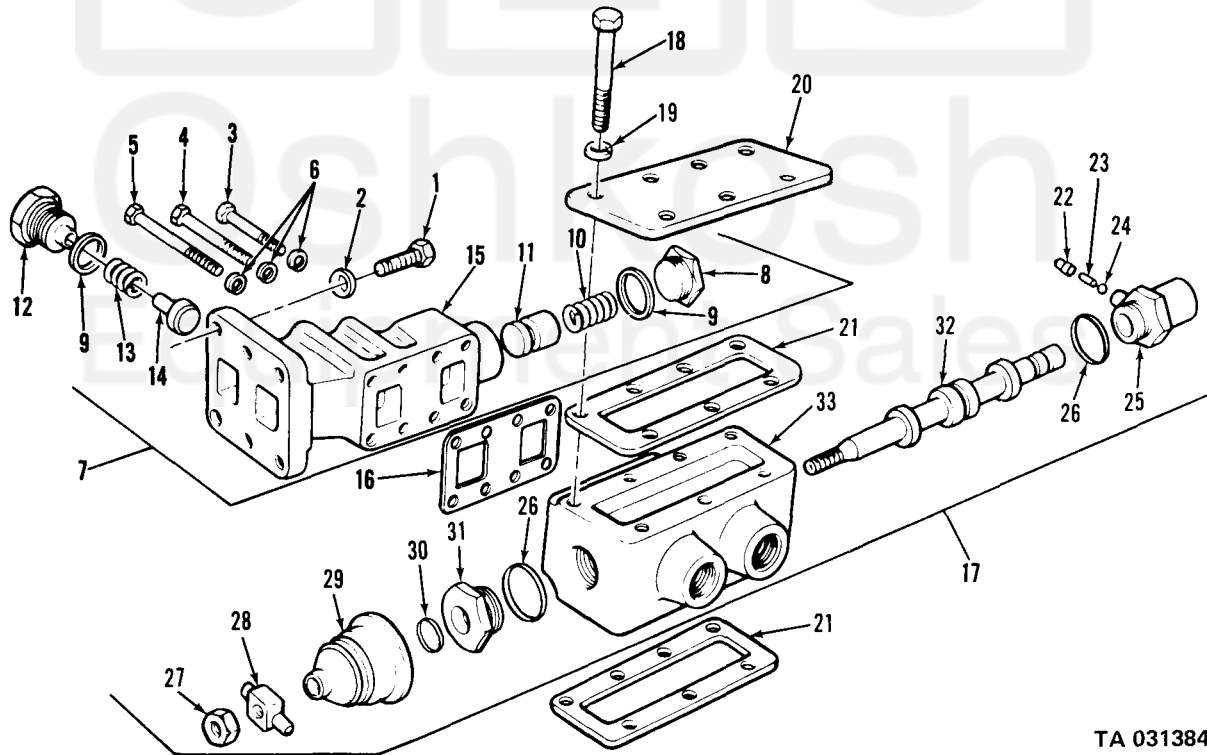
Current part is item (5) on diagram. Available at [www.oshkoshequipment.com](http://www.oshkoshequipment.com)

Current part is item (5) on diagram. Available at [www.oshkoshequipment.com](http://www.oshkoshequipment.com)



TA 031383

Figure 287. Hydraulic hoist pump assembly.



TA 031384

Figure 288. Hydraulic hoist control valve and adapter.

Current part is item (5) on diagram. Available at [www.oshkoshequipment.com](http://www.oshkoshequipment.com)